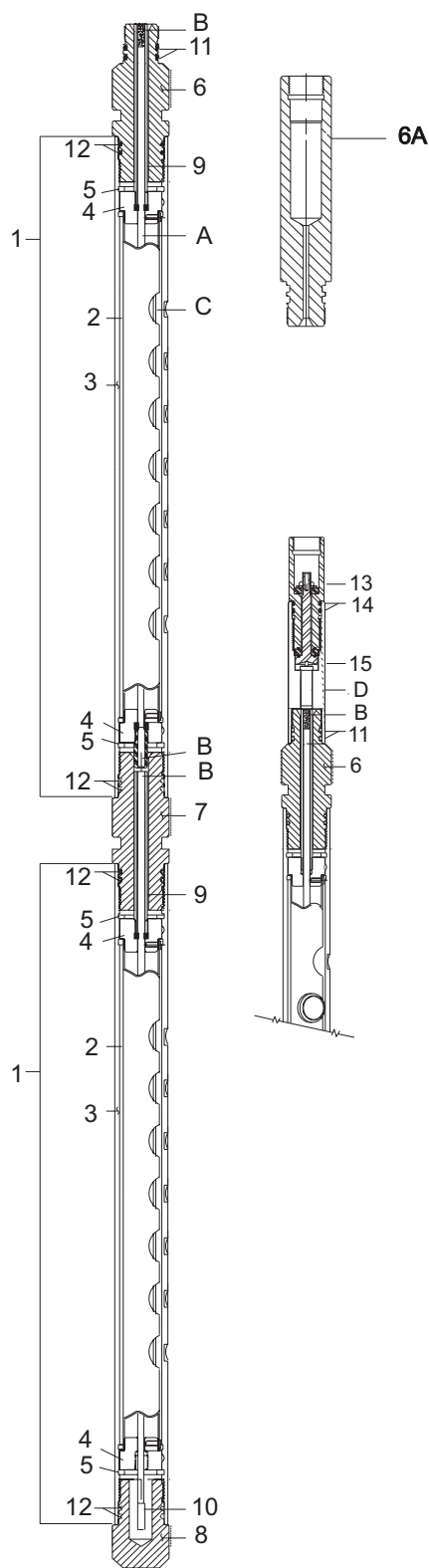
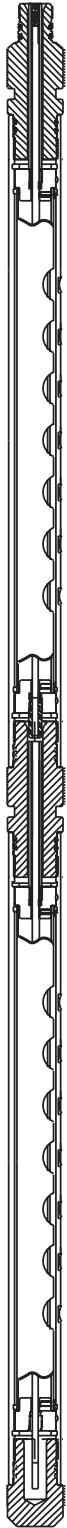


Scalloped Gun System, 2-1/8" O.D. 6 spf, 0°, BH, DP & SDP - NT3

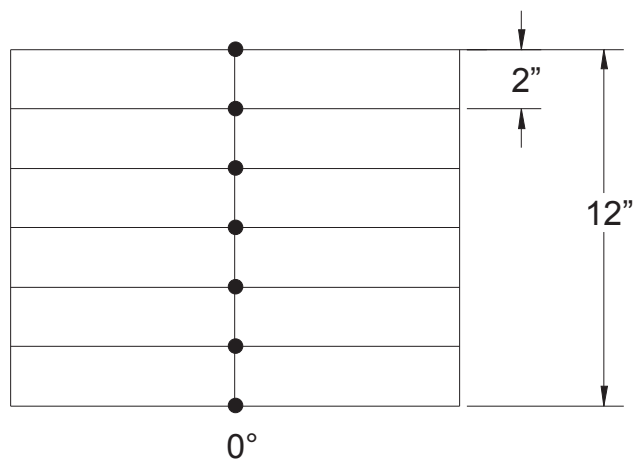
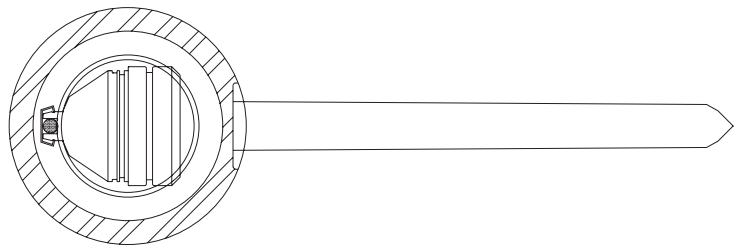


ITEM	PART NO.	DESCRIPTION
1	S21-0637-O21A	Shipping Assy, 2-1/8" x 21', 6 spf, 0°
	S21-0637-O15A	Shipping Assy, 2-1/8" x 15', 6 spf, 0°
	S21-0637-O11A	Shipping Assy, 2-1/8" x 11', 6 spf, 0°
	S21-0637-O07A	Shipping Assy, 2-1/8" x 7', 6 spf, 0°
	S21-0637-O04A	Shipping Assy, 2-1/8" x 4', 6 spf, 0°
2	RTG-2000-285	Tube Strip, 21', 6 spf, 0°
	RTG-2000-280	Tube Strip, 15', 6 spf, 0°
	RTG-2000-284	Tube Strip, 11', 6 spf, 0°
	RTG-2000-283	Tube Strip, 7', 6 spf, 0°
	RTG-2000-282	Tube Strip, 4', 6 spf, 0°
3	C21-0637-O21	Carrier 2-1/8" x 21', 6 spf, 0°
	C21-0637-O15	Carrier 2-1/8" x 15', 6 spf, 0°
	C21-0637-O11	Carrier 2-1/8" x 11', 6 spf, 0°
	C21-0637-O07	Carrier 2-1/8" x 7', 6 spf, 0°
	C21-0637-O04	Carrier 2-1/8" x 4', 6 spf, 0°
4	TAG-2125-159	End Plate (1)
	TAG-2125-159P	End Plate W/Pin (1)
5	TAG-2125-075	Carrier Snap Ring (N-5000-166) (2)
6	TAG-2125-280	Top Sub 2-1/8"
6A	TAG-2125-112	Top Sub 2-1/8" Wireline Systems
7	TAG-2125-281	Tandem Sub 2-1/8"
8	TAG-2125-078	Bull Plug 2-1/8"
9	RTG-0100-275	Booster Transfer Kit
10	DET-0100-058	Detonating Cord End Cover (40gr Ribbon - 40gr Round)
11	OOO-N569-215	O-Ring, #215, 90 Duro Nitrile - see ref. section
	OOO-V569-215	O-Ring, #215, 90 Duro Viton - see ref. section
12	OOO-N569-221	O-Ring, #221, 90 Duro Nitrile - see ref. section
	OOO-V569-221	O-Ring, #221, 90 Duro Viton - see ref. section
13	AES-AS80005	Firing Adapter Assembly., 1.50 O.D.
14	OOO-N569-214	O-Ring, #214, 90 Duro Nitrile - see ref. section
	OOO-V569-214	O-Ring, #214, 90 Duro Viton - see ref. section
15	AES-4244	Shooting Adapter Assembly., 1-11/16" O.D.
A	A538010	Detonating Cord, 40 gr. RDX LS, Ribbon
	A545010	Detonating Cord, 40 gr. HMX LS, Ribbon
B	DET-3050-429	Bi-Directional Booster
	DET-0010-006	40 grain rubber grommet - to std Bi-Directional Booster
C	RTG-2106-430	Charge, Single String, HMX
	RTG-2106-450	Charge, Dual String, HMX
	SDP-2125-402NT3	Charge, HMX, SDP, NT3 - HERO™ (fluid only)
	RTG-2125-402LS	Charge, HMX, DP, LS
	RTG-2125-402F	Charge, HMX, BH
	RTG-2125-302LS	Charge, RDX, DP, LS
D	PAC-2107-450	Charge, HMX, PAC
	DET-3050-008	Detonator Assembly., Top Fire

Scalloped Gun System, 2-1/8" O.D. 6 spf, 0°, BH, DP & SDP - NT3



SPECIFICATIONS		
PRESSURE RATING	158.6 MPa	23,000 psi
TEMPERATURE	UP To 260°C	UP TO 500°F
TENSILE STRENGTH	43 600 daN	98,000lbs
CARRIER THREAD	1-11/16" - 8 STUB ACME	
GUN WEIGHT LOADED	7.13 KG/M	4.78 LB/FT
TORSIONAL YIELD	1 877 N•m	1,375 lb-ft



Note: Guns are available in standard lengths from 2 through 21 ft.
 Gun lengths in increments of 0.5 ft are available by special order only.
 Charges and ancillary components for higher temperature applications are available by Special Order.

sgs_S21-0637-O R02